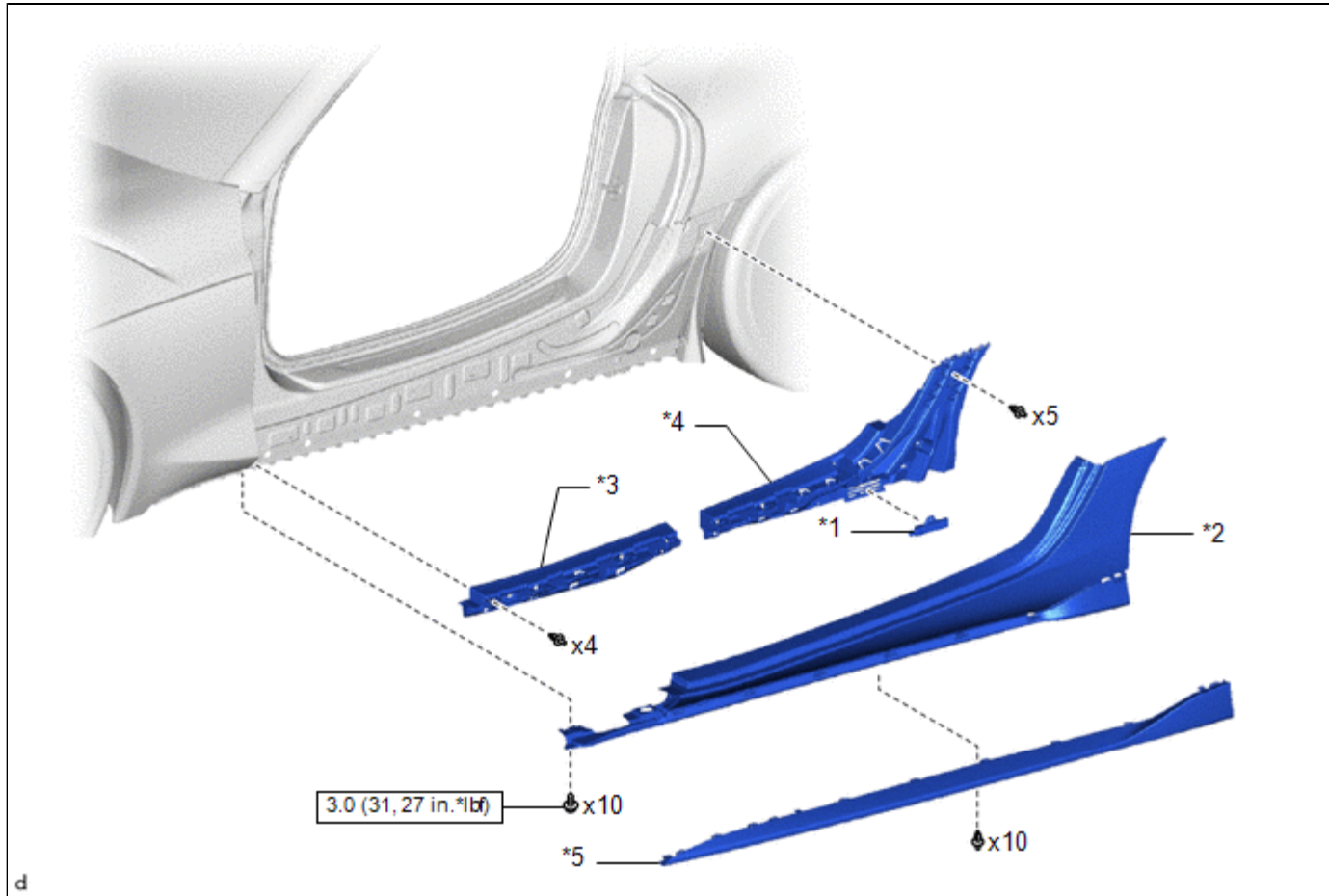
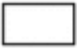


<b>Last Modified:</b> 09-05-2019	6.9:8.0.49	<b>Doc ID:</b> RM100000001JCMZ
<b>Model Year Start:</b> 2020	<b>Model:</b> Supra	<b>Prod Date Range:</b> [03/2019 - ]
<b>Title:</b> EXTERIOR PANELS / TRIM: ROCKER PANEL MOULDING: COMPONENTS; 2020 MY Supra [03/2019 - ]		

## COMPONENTS

## ILLUSTRATION



*1	ELECTRICAL KEY ANTENNA	*2	NO. 1 SIDE PANEL MOULDING
*3	NO. 2 BODY OUTSIDE MOULDING PAD	*4	NO. 4 BODY OUTSIDE MOULDING PAD
*5	ROCKER PANEL MOULDING	-	-
	N*m (kgf*cm, ft.*lbf): Specified torque	-	-

<b>Last Modified:</b> 09-05-2019	6.9:8.0.49	<b>Doc ID:</b> RM100000001JCNO
<b>Model Year Start:</b> 2020	<b>Model:</b> Supra	<b>Prod Date Range:</b> [03/2019 - ]
<b>Title:</b> EXTERIOR PANELS / TRIM: ROCKER PANEL MOULDING: REMOVAL; 2020 MY Supra [03/2019 - ]		

## REMOVAL

### CAUTION / NOTICE / HINT

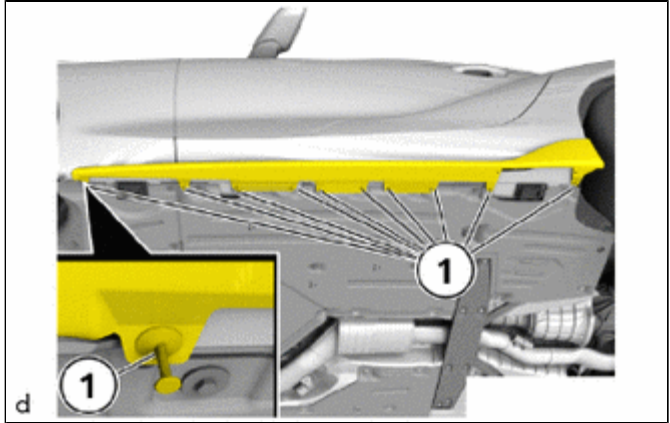
**HINT:**

- Use the same procedure for both the LH and RH sides.
- The procedure described below is for the LH side.

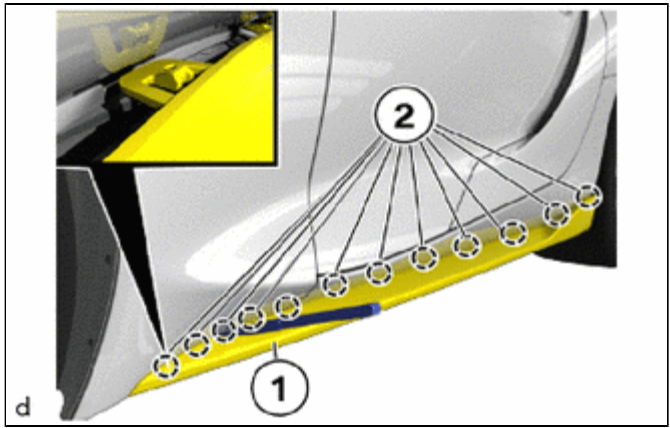
## PROCEDURE

### 1. REMOVE ROCKER PANEL MOULDING

(a) Remove the clips (1).

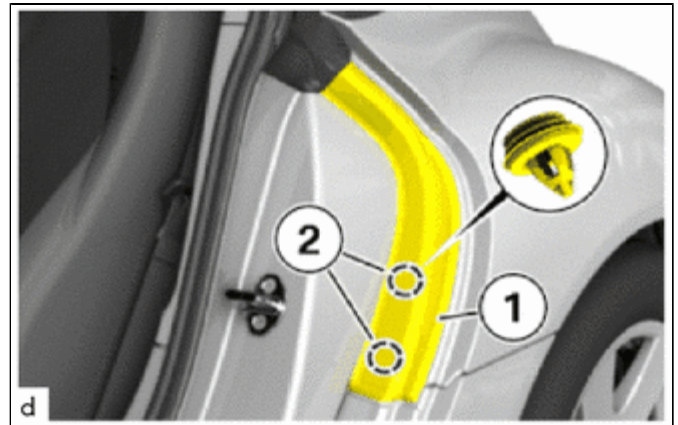


(b) Using a moulding remover A, disengage the claws (2) to remove the rocker panel moulding (1).

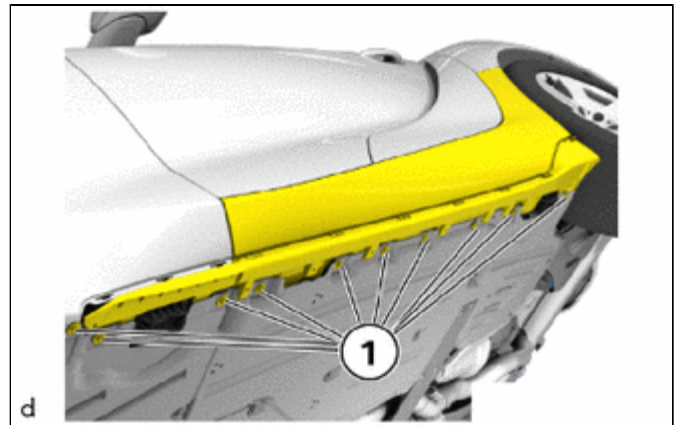


### 2. REMOVE NO. 1 SIDE PANEL MOULDING

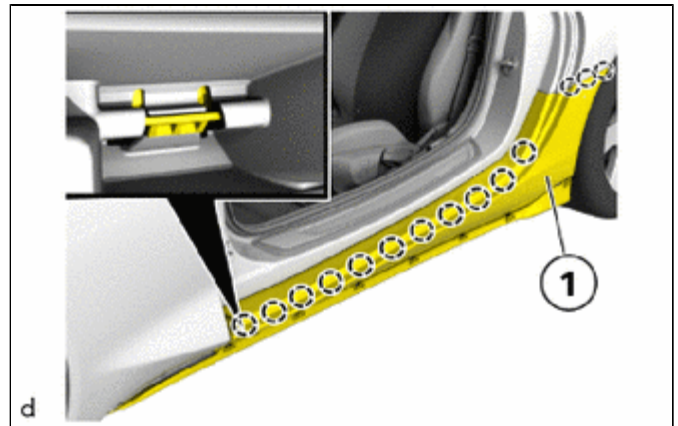
(a) Disengage the clips (2) to disconnect the front door inner trim cover (1).



(b) Remove the screws (1).



(c) Disengage the claws to remove the No. 1 side panel moulding (1).



<b>Last Modified:</b> 09-05-2019	6.9:8.0.49	<b>Doc ID:</b> RM100000001JCN1
<b>Model Year Start:</b> 2020	<b>Model:</b> Supra	<b>Prod Date Range:</b> [03/2019 - ]
<b>Title:</b> EXTERIOR PANELS / TRIM: ROCKER PANEL MOULDING: DISASSEMBLY; 2020 MY Supra [03/2019 - ]		

## **DISASSEMBLY**

### **CAUTION / NOTICE / HINT**

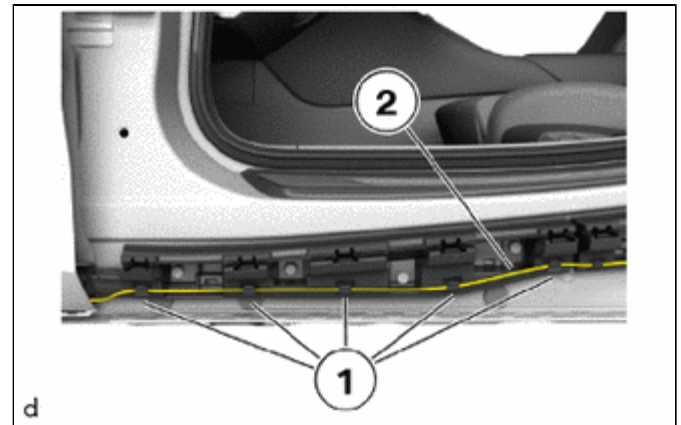
**HINT:**

- Use the same procedure for both the LH and RH sides.
- The procedure described below is for the LH side.

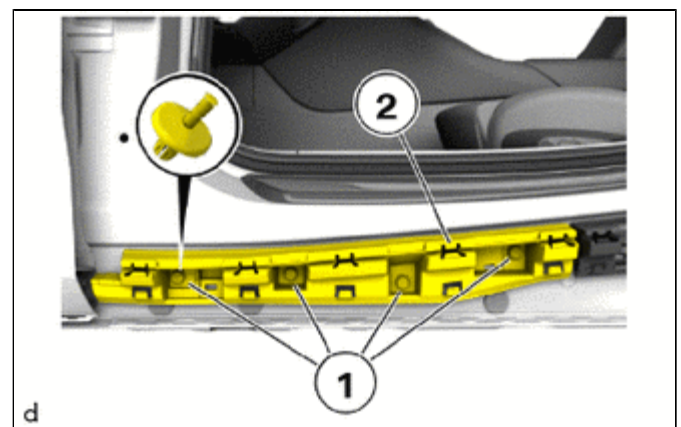
## **PROCEDURE**

### **1. REMOVE NO. 2 BODY OUTSIDE MOULDING PAD**

(a) Disconnect the floor wire (2) from holders (1).



(b) Remove the clips (1) and No. 2 body outside moulding pad (2).

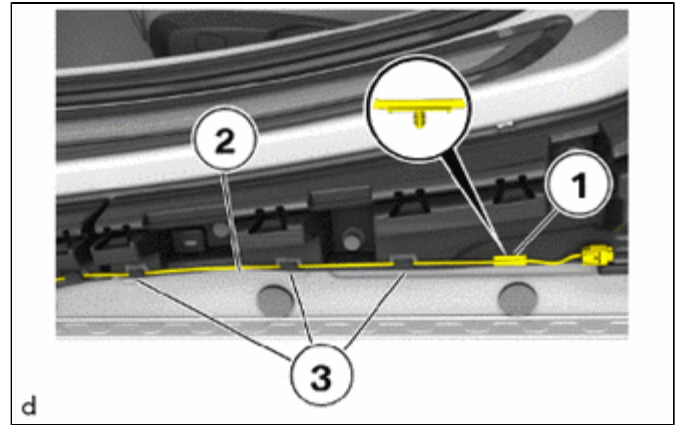


### **2. REMOVE ELECTRICAL KEY ANTENNA**

Click here [INFO](#)

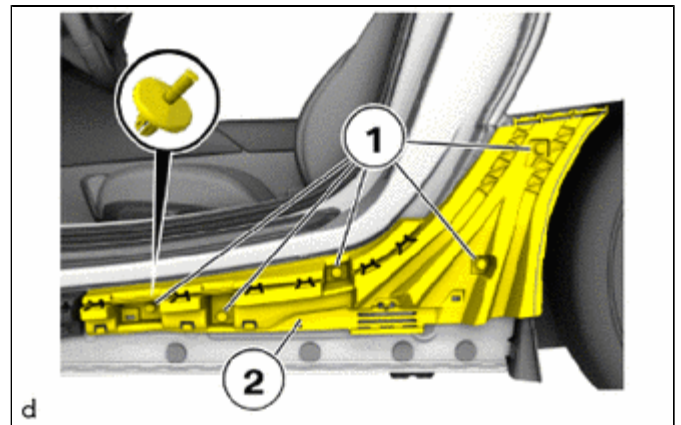
### **3. REMOVE NO. 4 BODY OUTSIDE MOULDING PAD**

(a) Disengage the clamp (1).



(b) Disconnect the floor wire (2) from holders (3).

(c) Remove the clips (1) and No. 4 body outside moulding pad (2).



<b>Last Modified:</b> 09-05-2019	6.9:8.0.49	<b>Doc ID:</b> RM100000001JCN2
<b>Model Year Start:</b> 2020	<b>Model:</b> Supra	<b>Prod Date Range:</b> [03/2019 - ]
<b>Title:</b> EXTERIOR PANELS / TRIM: ROCKER PANEL MOULDING: REASSEMBLY; 2020 MY Supra [03/2019 - ]		

## **REASSEMBLY**

### **CAUTION / NOTICE / HINT**

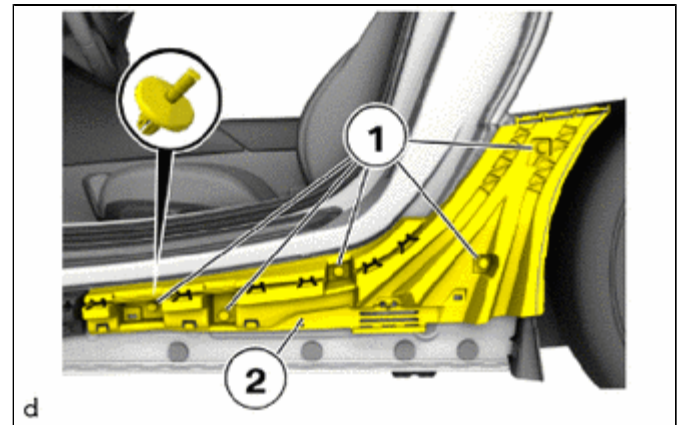
**HINT:**

- Use the same procedure for both the LH and RH sides.
- The procedure described below is for the LH side.

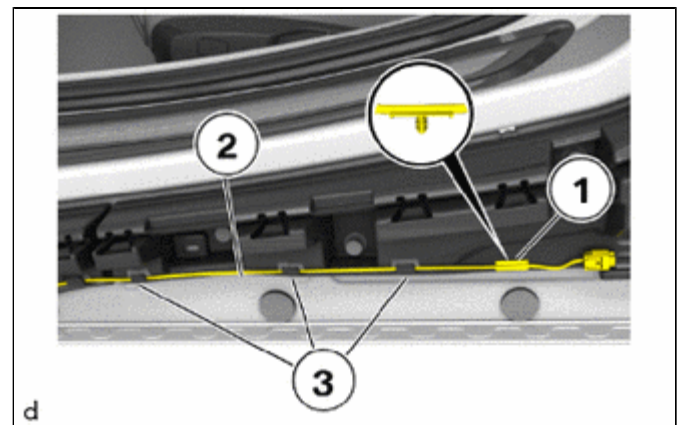
## **PROCEDURE**

### **1. INSTALL NO. 4 BODY OUTSIDE MOULDING PAD**

(a) Install the No. 4 body outside moulding pad (2) with the clips (1).



(b) Connect the wiring harness (2) to the holders (3).



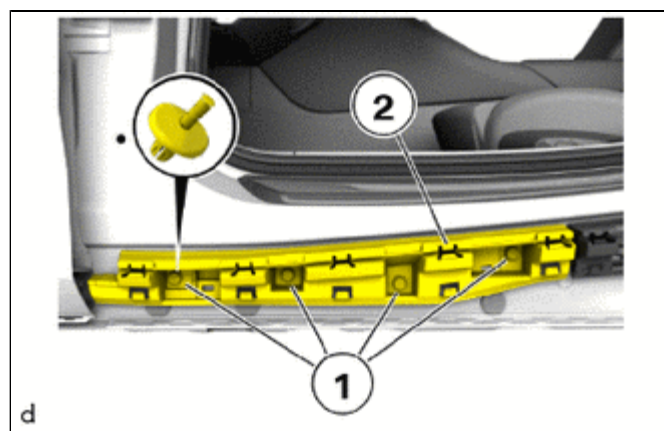
(c) Engage the clamp (1).

### **2. INSTALL ELECTRICAL KEY ANTENNA**

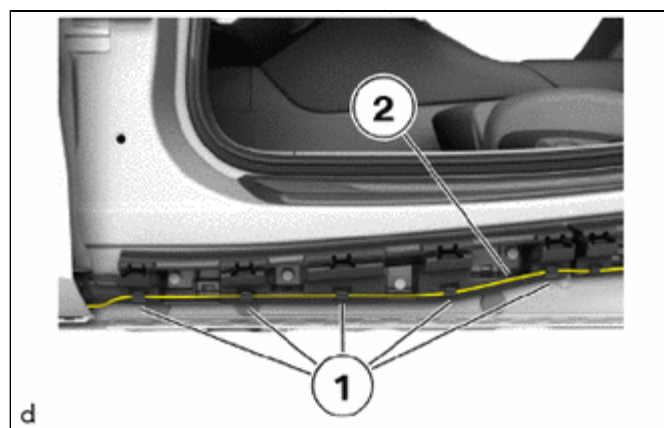
Click here [INFO](#)

### **3. INSTALL NO. 2 BODY OUTSIDE MOULDING PAD**

(a) Install the No. 2 body outside moulding pad (2) with the clips (1).



(b) Connect the wiring harness (2) to the holders (1).



<b>Last Modified:</b> 09-05-2019	6.9:8.0.49	<b>Doc ID:</b> RM100000001JCN3
<b>Model Year Start:</b> 2020	<b>Model:</b> Supra	<b>Prod Date Range:</b> [03/2019 - ]
<b>Title:</b> EXTERIOR PANELS / TRIM: ROCKER PANEL MOULDING: INSTALLATION; 2020 MY Supra [03/2019 - ]		

## **INSTALLATION**

### **CAUTION / NOTICE / HINT**

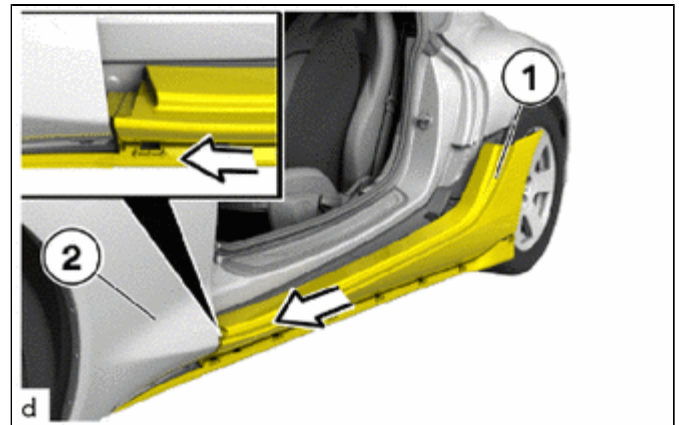
**HINT:**

- Use the same procedure for both the LH and RH sides.
- The procedure described below is for the LH side.

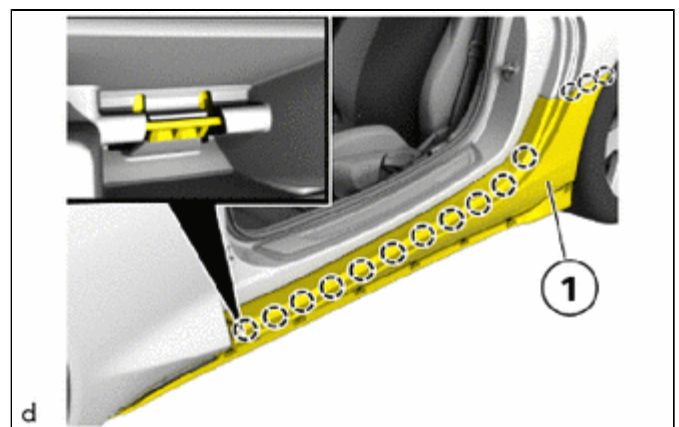
## **PROCEDURE**

### **1. INSTALL NO. 1 SIDE PANEL MOULDING**

(a) Install the No. 1 side panel moulding (1) under the front side panel (2) in the direction of the arrow.



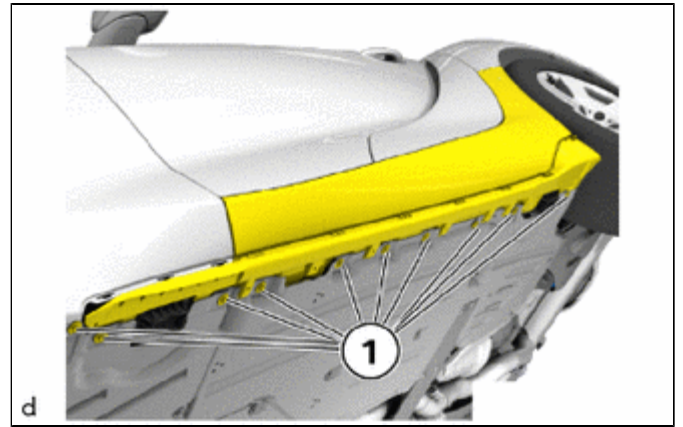
(b) Engage the No. 1 side panel moulding (1) and the claws.



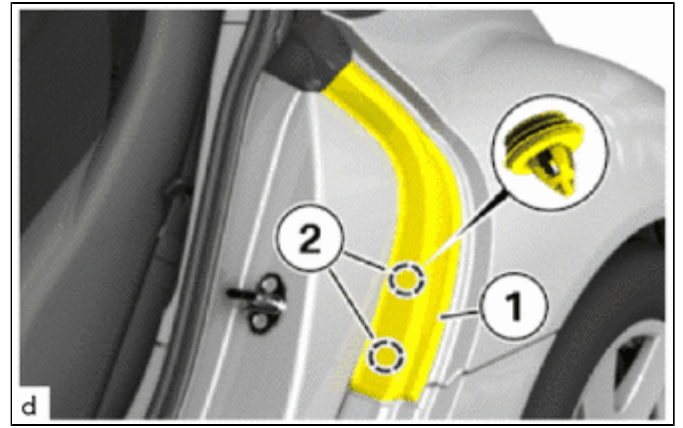
(c) Install the screws (1).

**Torque:**

**3.0 N·m {31 kgf·cm, 27 in·lbf}**

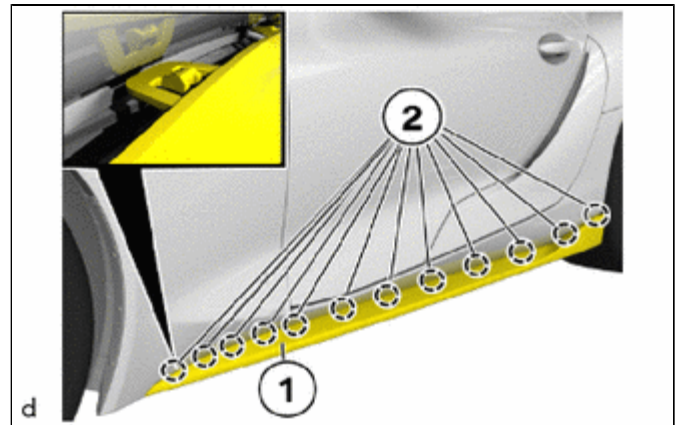


(d) Engage the clips (2) to connect the front door inner trim cover (1).



## 2. INSTALL ROCKER PANEL MOULDING

(a) Engage the claws (2) to install the rocker panel moulding (1).



(b) Install the clips (1).

